



Universal Hex Nut

Hexagonal Head on a flat base. The recessed back allows any disc to be securely fitted and tightened on your angle grinder.

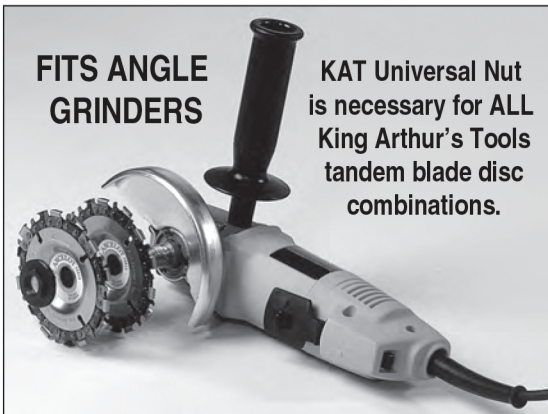


Use the **KAT UNIVERSAL NUT** to easily secure most accessories to angle grinders with 5/8" or 14mm centers shafts. The unique recessed back allows you to secure attachments and replaces the need for a traditional two pin spanner wrench.



UNIVERSAL NUT

King Arthur's Tools Universal Nut (part #13750 for 5/8" center shafts and part #14000 for 7/8" (22mm) center shafts) has a recessed back that allows any angle grinder in the world to accept the **Holey Galahad** – the Universal Nut specifically solves mounting the round **Holey Galahad** discs on angle grinders.



FITS ANGLE GRINDERS

KAT Universal Nut is necessary for ALL King Arthur's Tools tandem blade disc combinations.

IMPORTANT

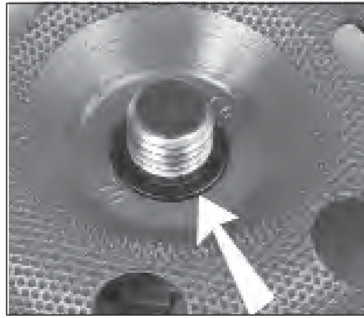
You must use the respective Universal Nut whenever tightening 2 Lancelots or Lancelot/Squire combinations with M14 (14mm) or 5/8" (16mm) centers.

The **KAT Universal Nut** has a 13/16" (21mm) hexagonal head with a flat base which secures pressure evenly over the blades and allows ample locking threads to safely and securely tighten a dual combination. Available in either M14 or 5/8" 11, standard shaft sizes on most major manufacturers disc grinders.

KATools Universal Nut with Holey Galahad

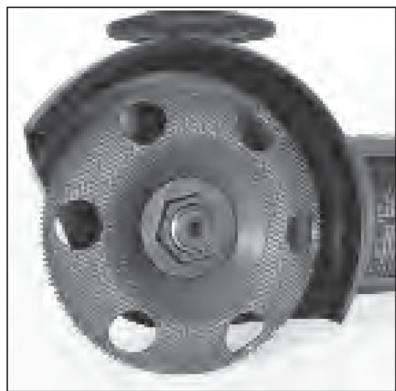
Why we created our KAT Universal Nut:

Angle grinder manufacturers are not consistent in the height of the raised round arbor shoulder, over which **Holey Galahad** is seated, nor in the width of their locknuts, which have varying diameters. This caused problems we were able to overcome with the design of our **KAT Universal Nut**.



RAISED SHOULDER prevents correct tightening with manufacturer's nut. KAT Universal Nut securely tightens the disc.

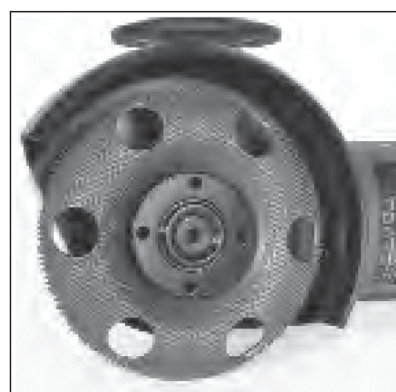
The flat **Holey Galahad** body is slightly thicker than the round model and in most cases, when seated over the arbor, will be level with, or rise slightly over the arbor. In this case using the angle grinder manufacturer's locknut will tighten and secure **Holey Galahad**. The round profile **Holey Galahad** has an inner wall design and slightly thinner metal thickness that is not compatible with most grinder locknuts used to tighten the disc. When the disc is seated, it falls below the arbor, not allowing standard lock nuts to secure the disc. This causes the discs to spin freely.



CORRECT Universal Nut Use

ALWAYS USE THE OPTIONAL KAT UNIVERSAL NUT TO SECURELY ATTACH DISCS TO THE ANGLE GRINDER.

Using our **KAT Universal Nut**, you can seat any model **Holey Galahad**, but the Universal Nut is specifically required to fit the round profile discs over the arbor.



INCORRECT Nut for Holey Galahad

Tighten the hexagonal head of the **KAT Universal Nut** using a 21mm spanner or our **KAT Universal Wrench**.

The depression in the nut seats over the arbor and securely tightens the disc. The **KAT Universal Nut** also seats snugly into the deep well center of **Holey Galahad**.

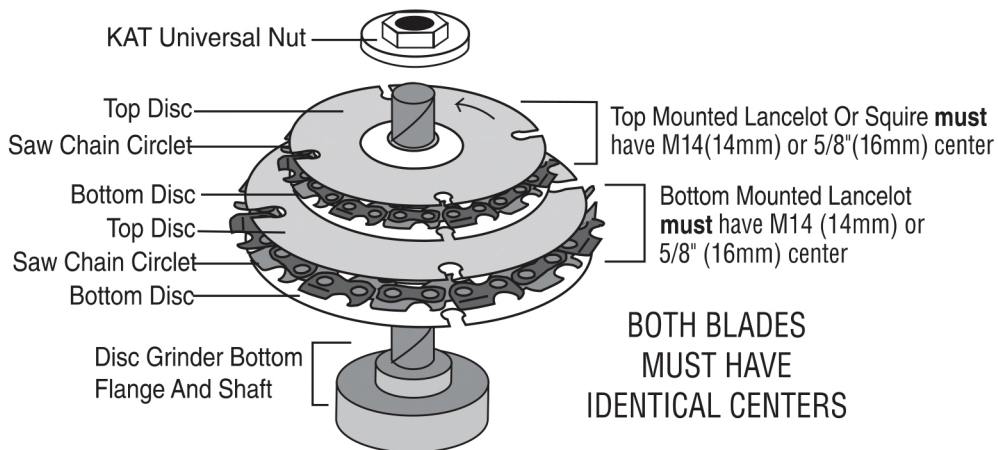
TANDEM MOUNTING - Two Lancelots® or Lancelot®/ Squire® on M14 (14mm) or 5/8" 11 threaded shafts

When mounting two blades, both with the same centers, either M14 (14mm) or with 5/8" (16mm), remove this backing plate.

REMOVE THE GRINDER BACKING PLATE. Manufacturers supply a flanged backing plate or adapter to accommodate 7/8" (22mm) accessories on all disc grinders. If plate is not removed, there are insufficient threads on the threaded shaft for the universal nut to lock down this tandem combination. After removing the plate, first mount one Lancelot (NOT Squire) over the threaded shaft followed by a second Lancelot OR Squire. The bottom disc of the top mounted Lancelot or Squire sits on top disc of the first Lancelot and is tightened with the Universal Nut.

- Securely tighten the Universal Nut with a 13/16" (21mm) spanner, socket, adjustable or our KAT Universal Wrench.
- Tighten until one thread or less is left visible on the nut. There must be (1) no movement or slippage of the saw chains between discs and (2) discs and chains must rotate as one unit.

DUAL BLADE ASSEMBLY FOR 2 LANCELOTS OR LANCELOT & SQUIRE—Using King Arthur's Tools Universal Nut



IMPORTANT: BEFORE BLADE ASSEMBLY, Set SAFETY GUARD Position Per Instructions For CORRECT Position Of Safety Guard

ALSO FROM KATOOLS

Universal Wrench Flange & Nut Sets

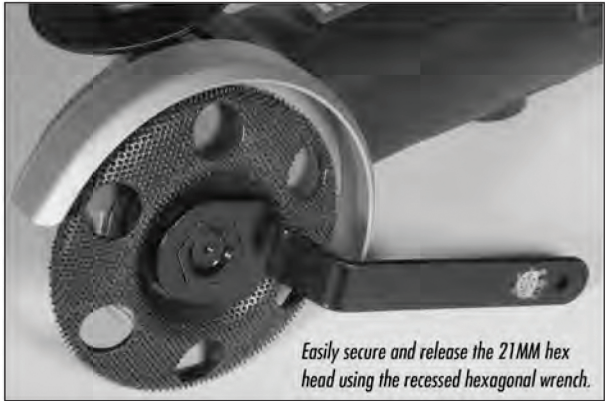


The **KATools Universal Nut and Flange** allows you to attach disc accessories to any make or model power tool with a 5/8" or 14mm spindle thread shaft.



Easily secure and tighten any type of accessory from any manufacturer.

Recessed hexagonal nut and flange back allow universal fit.



Easily secure and release the 21MM hex head using the recessed hexagonal wrench.



katools.com



Learn about using KAT Universal Nuts on YouTube: youtu.be/QTbZDCh0UYw

3645 Hartsfield Road • Tallahassee FL 32303
850-877-7650 or 1-800-942-1300